

**TROLLING MOTOR**

**Owner's Manual**



## Table of Contents

Introduction	2
Warning information	2
Components Index	4
Using Instruction	5
Care and maintenance	9
Trouble Shooting	9

## Introduction

Thank you for having our product, wish you could enjoy it.

Years of design and engineering have resulted in a personal outboard trolling motor that gives you power up to 32LBS,36LBS,40 LBS, 46LBS,50LBS,55LBS and 86LBS to help you enjoy your trolling and fishing.

There are many features incorporated in the sophisticated design, please take a little time to study the manual to learn about them all to get most out of your products.

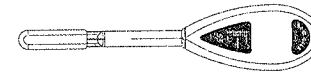
- The motors are sold without batteries; please choose battery with 12V (24V for 86LBS motor)output to fit this motor, the red wire is for connecting to anode, the black wire is for connecting to cathode.
- Please fix all parts following the instruction.
- The motor can only be used in water deeper than 0.8m.

## Warning information

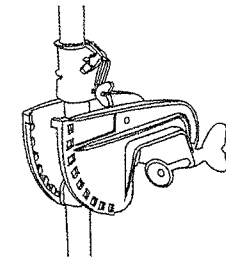
- This is not a life saving device.
- Do not leave children unattended while device is in use.
- The user must be dressed with life saving coat.
- Please read the user's manual carefully.
- Never put the control box in water, if it fell into water completely, you must send it to professional people to clean it before use.
- Never unfix any part of this motor.
- Only use this products between -20°C to +45°C(-4°F to 113°F).
- Never replace any parts with the parts from other supplier.
- Ensure sufficient battery charge remaining, when there is only 3 lights is bright on the voltage meter, the motor must be unconnected with the batteries immediately, to prolong the life of the batteries, after 30 minutes continuous working with high speed, please leave the battery have rest for 10 minutes.

- To prevent accidental damage of fibre glass shaft don't tense mounting bracket small screw too tight.
- Never stick body parts, clothing or other objects in the vicinity of the propeller. Do not wear loose or flowing clothing or equipment that could be drawn into the propeller.
- Particular care should be exercised when using this item near anybody with long hair. Users with long hair should tie it up or wear swimming caps when using the boat.
- Always inspect the swimming area to ensure it is free of hazards or danger such as boats and swimmers before using the boat.
- Always wear a coast guard approved personal flotation device when using the boat with this motor.
- A child under 16 years old or end-user cannot swim should NEVER operate the boat independently. A child under 14 years old should NEVER operate this product.

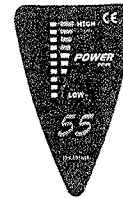
## Components Index



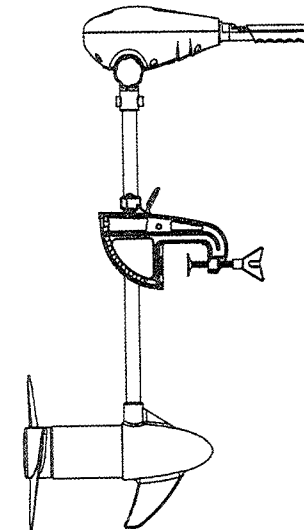
Control Box with Telescope handle



Adjustable position mounting bracket



10 LED Lighted voltage meter



Battery Lead Cable



Propeller stick



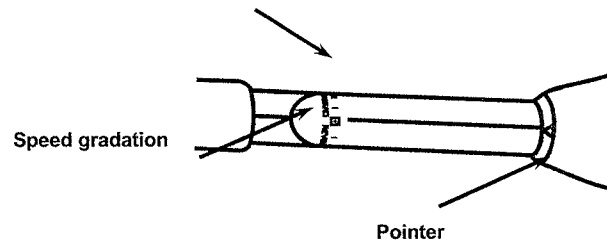
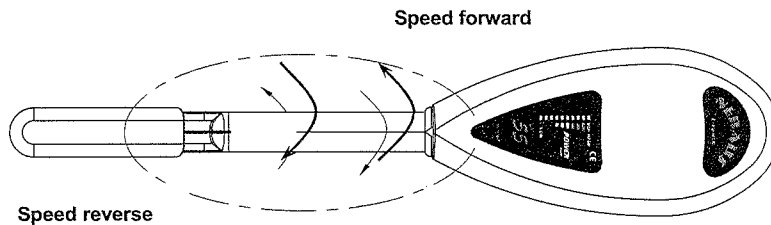
Propeller

## Using Instruction

I. Connect the clip with battery:

User the batter wire to connect with batter, please connect the wire with red head with anode and the with black head with cathode, please ensure during the connection do not connect the anode and the cathode directly together, do not connect the wrong electrode.

II. Roll the handle to start working, when you hear "Click", that means you have reach a speed phrase, there are 5 speed forward and 3 speed revers:

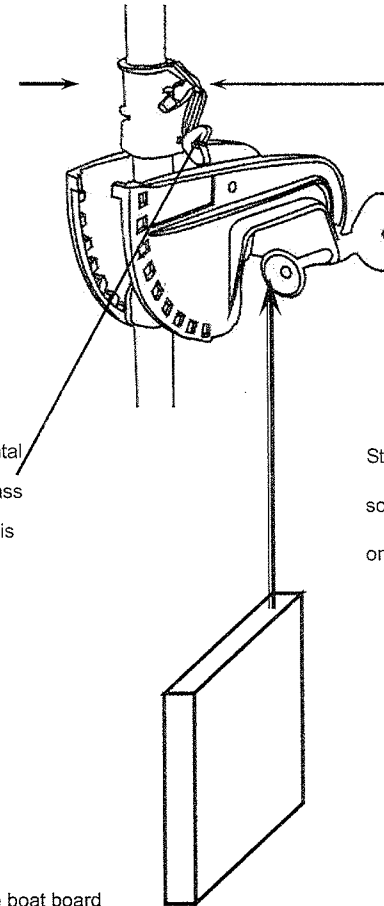


III. To fix the motor, adjust the angel, length under water of the motor:

Loose this screw and adjust the height of this part to adjust the length under water

To prevent accidental damage of fibre glass shaft don't tense this screw too tight

Insert the boat board into the bracket



Press here to release the spring, then you can turn the shaft around to adjust the angle of motor or take it out of water, when adjustment is finished, release it, the motor would stay in fixed direction

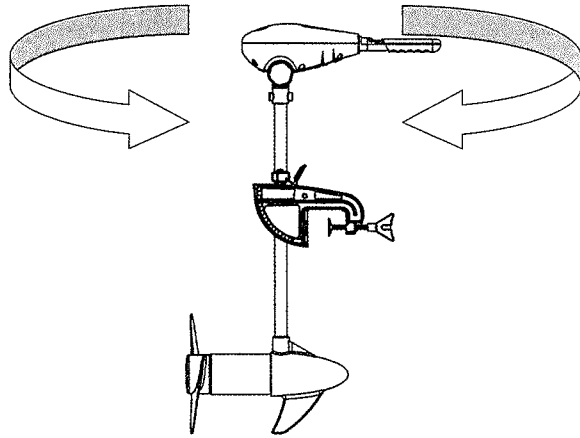
Strengthen these two screws to fix the motor on the boat board

IV. Connect with battery:

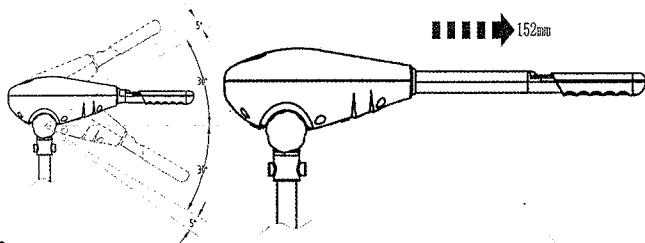
- a. Connect the anode(+) red lead to the anode (+) battery terminal.
- b. Connect the cathode (-) black lead to the cathode (-) battery terminal.
- c. Ensure the battery is fully charged before use, the must be able to endure working current.  
80AH deep cycle gel battery is suggested.

V. Control the direction:

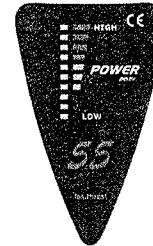
Turn the handle in the illustrated to control the direction of your boat:



NRS-T series trolling motor control box can be turned when user operate and it has three retainer at aclinic position and  $\pm 30^\circ$  position,also it has limit position at  $\pm 35^\circ$ .



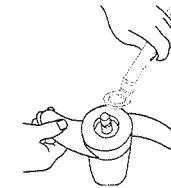
VI. Read the 10 LED Lighted voltage meter to avoid damaging the battery



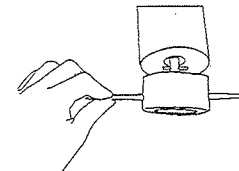
There are 10 LED on the meter, 7 upper LEDs are green and 3 lower LEDs are red, when all the green LEDs are turned off, that means the input voltage is lower than 9.5V, you must turn off the motor and disconnect the motor from the battery, otherwise it may cause forever damage to the battery.

VII. Replace the propeller:

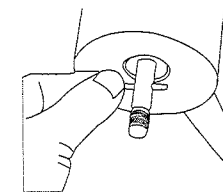
Use suitable tool to unfix the screw which fix the propeller:



Take out the propeller:



When you take out the propeller, please carefully keep the stick on the shaft:



Then reverse above steps, you can fix the new propeller.

## Care and Maintenance

- If you want to use this motor in Salt water, please use daub Antirust oil on the metal parts that are exposed to the salt water.
- After used in salt water, please use fresh water to clean it and then dry it.
- Keep the products clean and dry after use.
- Save the products in the original package.
- The control box can only be opened by professional engineer.
- Do not use in water area with many water plants or other sundries in water.
- Never connect the wire with wrong electrode. Must disconnect with battery during maintenance.
- Never leave the motor in environment over 60°C.
- Never stop the propeller with strong objects while the motor is running.
- Get rid of any water grass or other dirt attached to the motor after use, this cleaning work must be carried after the motor were used for 20 hours.
- To prevent accidental damage during trailering or storage, disconnect the battery whenever the motor is off of the water. For prolonged storage, lightly coat all metal parts with silicone spray.
- If this edge of propeller is rough or nicked, restore to smooth by sanding with fine sandpaper

## Trouble Shooting

- Motor fails to run or lacks power:
  - Check battery connections for proper polarity.
  - Make sure terminals are clean and corrosion free. Use fine sandpaper or emery cloth to clean both terminals.
  - Check battery ware level. Add water if needed.
  - Check propeller for line or weeds.
- Motor loses power after a short running time:
  - Check battery charge, if low, restore to full charge.
- Motor is hard to steer.
  - Loosen the steering tension knob on the bracket.
  - Lubricate the shaft.

